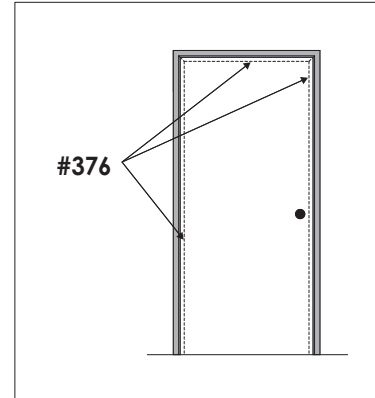
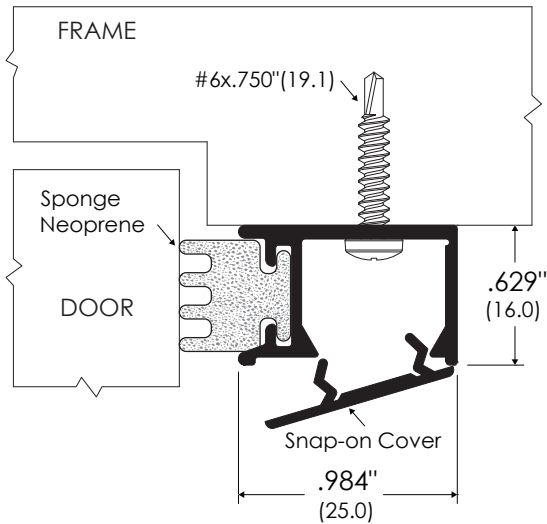


# #376 INSTALLATION INSTRUCTIONS



- 1 Close the door and measure the frame opening.
- 2 Install the gasketing (trim as necessary), head piece first. Place the piece against the face of door, making GENTLE contact between the rubber extrusion (sponge neoprene) seal and the door. Fasten in place with screw provided.
- 3 Place hinge side piece against the face of door, making GENTLE contact between the rubber extrusion seal and the door. Fasten in place with screws provided.  
Repeat the same procedure with the lock side.
- 4 Snap on the cover after all the screws are installed.



## ZERO INTERNATIONAL

415 Concord Avenue, Bronx, NY 10455-1004  
Tel: 718-585-3230 • Fax: 718-292-2243  
Zero.Customer.Support@allegion.com  
www.zerointernational.com

